



**INDUCTION SKILLET WARMER
RTCS TECHNOLOGY**

(REAL TIME TEMPERATURE CONTROL SYSTEM)

3.5 kW MODEL

PARTS LIST

Toll Free Phone, (US & Canada): (800) 427-6668

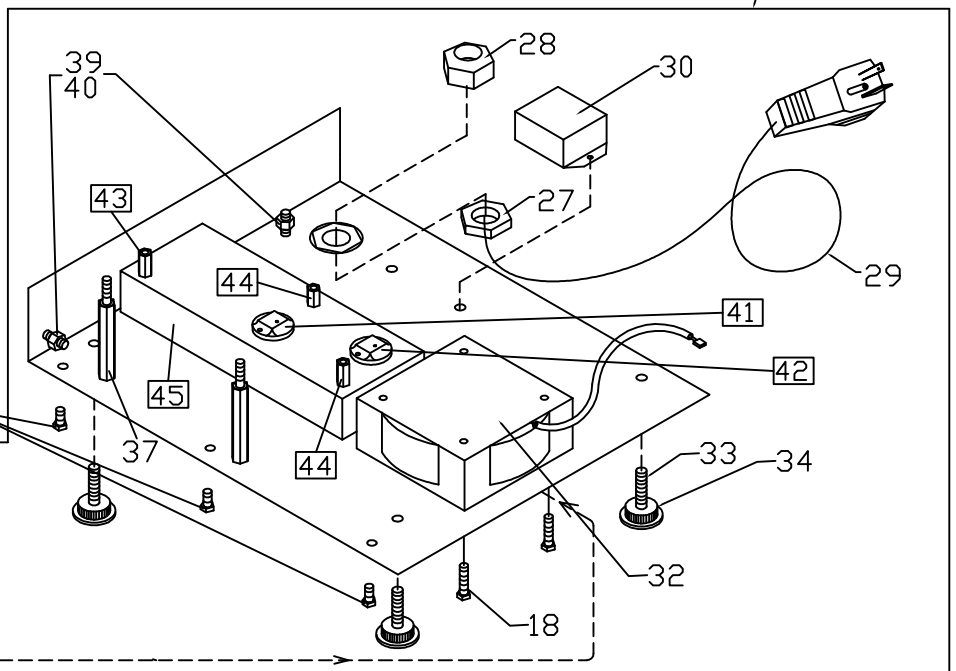
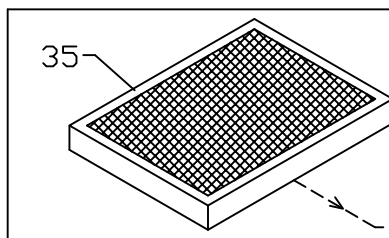
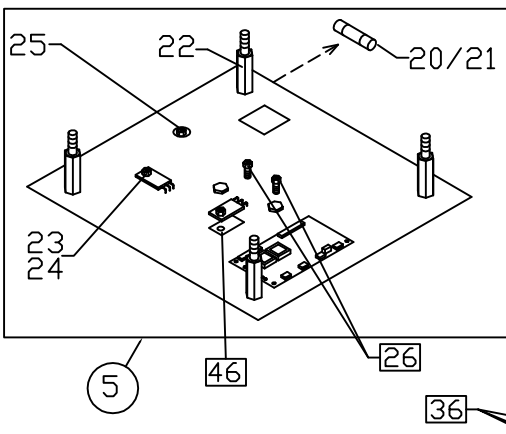
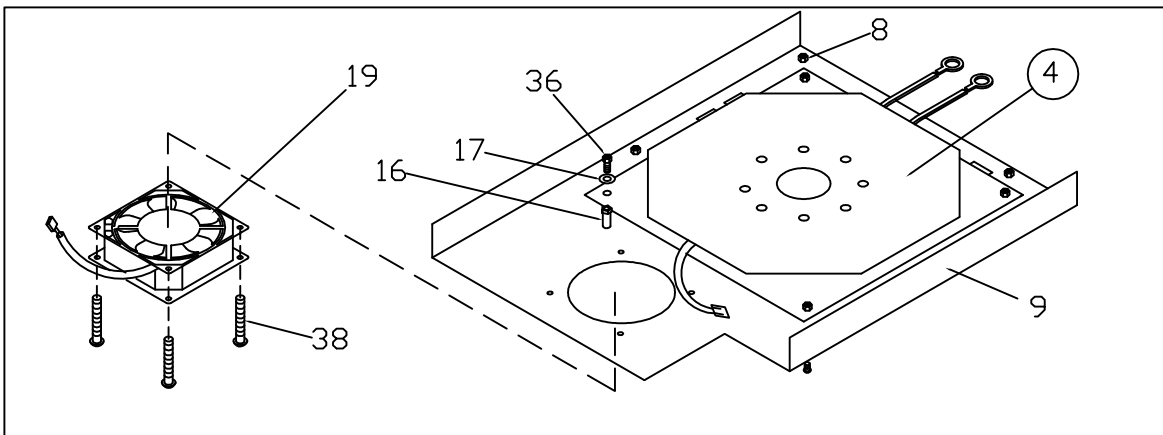
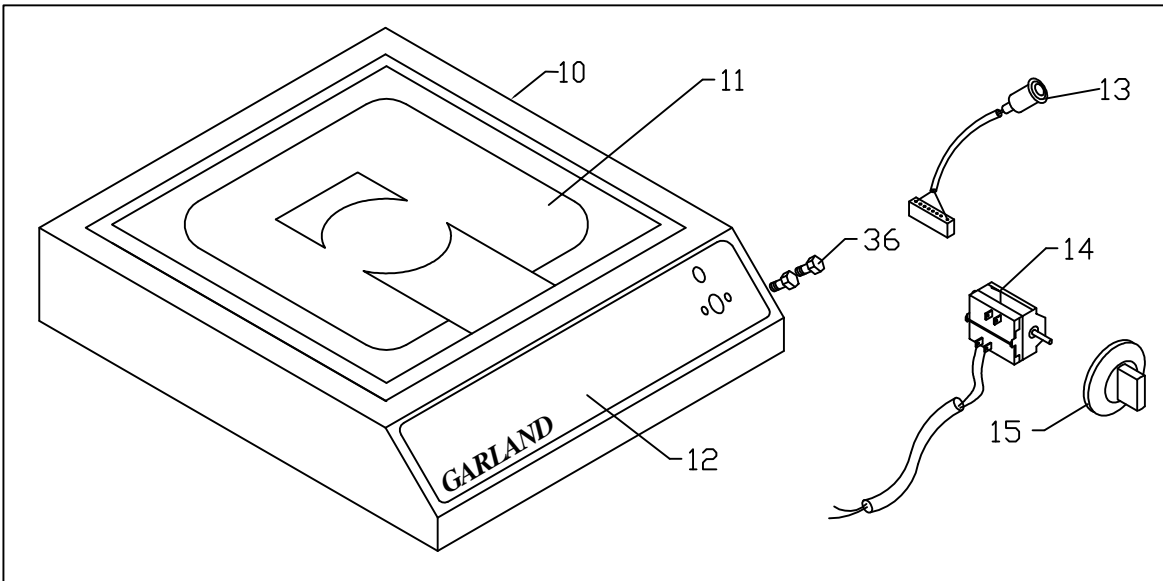
Toll Free Fax, (US & Canada): (800) 361-7745

<http://www.garland-group.com>



3.5kW - RTCS Fajita Induction Skillet Warmer

DESCRIPTION	PAGE
SH/BA 3500 FH-3.5kW 208V 1/Phase 50/60Hz Fajita Counter Top Warmer	4
Repair Accessories	6
Revision History	7



GARLAND PART IDENTIFICATION
SH/BA 3500 FH-3.5kW 208V 1/PH 50/60HZ FAJITA INDUCTION SKILLET WARMER

ITEM	PART #	DESCRIPTION	QTY
1	98300044	Upper Case Assembly "SH/BA" FA - Item Includes: 10,11,12,13,14,15,36	1
3	98200027	Base Assembly - Item Includes: 18,27,28,29,30,32,33,34,35,37,39 &40 Note: item# 36,41,42,43,44,45 not included	1
4	93029050	Induction Coil #29.05 with Sensor	1
5	98021706	Power Board - Item Includes: 20,21,23,24,25 Note: item# 26,46 not included	1
Important Notice Regarding Item 5: If component is exchanged, all parameters must be reset using IR adapter tool P/N 98990001. Please refer to service manual for detailed instructions.			
8	60136501	Coil Carrier Nut	3
9	98102901	Coil Carrier Fajita	1
10	72140130	Upper Case "SH/BA"	1
11	77322001	Ceran Glass 320x320mm	1
12	4522396	Induction Overlay	1
13	35624001	Front Indicator Lamp 24V LED Green	1
14	94900070	Control Switch	1
15	39400004	Plastic Knob	1
16	64070017	Bolt (M4x12)	4
17	60056701	Plain Large Washer	4
18	60099401	Pen Head Tapping Screw	3
19	94090001	Axial Fan 24V DC	1
20	34120159	Fuse SUT 15 Amp, 250V - 6.3x32	2
21	34110019	Fuse T1.0A	1
22	60332103	Distance Piece 6KT M4-30	4
23	60485003	Transistor Torx Screw T-10H	2
24	60080600	Transistor Spring Washer (9 washers per transistor)	
25	60143508	Rectifier Screw - Philips	1
26	60595001	M4x6 Coil Wire Screws	2
27	39500001	Screw Nut PG 13.5	1
28	39500007	Screwed Cable Gland PG 13.5	1
29	38614035	Power Cord USA Typ 6/20A	1
30	39311602	Main Line Filter 16A	1
32	94090011	Radial Fan 24V DC	1
33	71000006	Foot 40x40 M8	4
34	61421201	Knurled Nut, Height Adjustable Foot	4
35	71000003	Air Intake Grease Filter	1
36	60595002	M4X8 Screw	12
37	64070019	Distance Piece 6KT M4-38	4
38	60143507	Screws - Cooling Fan for Coil Carrier	4
39	60016102	Nut M4 - Grounding	2
40	60078102	Lock Washer	2
41	94040020	Aluminum Block W/Temperature Sensor IGBT	1
42	33144630	Aluminum Block IGBT	1
43	64070002	Distance Bolt - Ground Connection	1
44	64070017	Distance Bolt	2
45	33141761	Aluminum Heat-Sink	1
46	70100002	Ceramic Insulator - IGBTs	2

* NOT ILLUSTRATED

RECOMMENDED STOCK PARTS

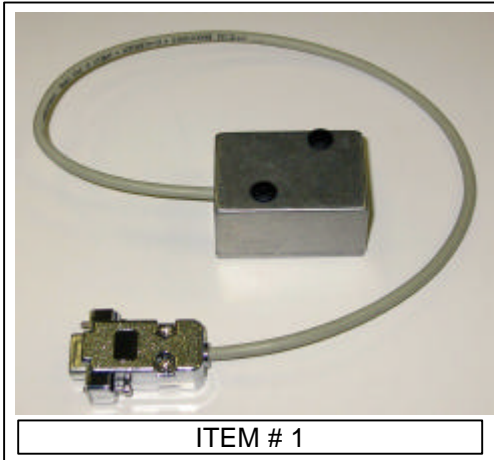
GARLAND PART IDENTIFICATION

Repair Accessories

ITEM	PART #	DESCRIPTION	QTY
1	98990001	IR Box	1
2	70000020	Heat Conducting Paste P12	1
5	39800001	USB- RS232 Adapter	1

* NOT ILLUSTRATED

RECOMMENDED STOCK PARTS



GARLAND PARTS IDENTIFICATION
Revision History

REV. #	PAGE #	ITEM #	NOTE	DATE
0			Book Released	April 4/07
1	5,6		All the hardware added & Items numbers re-arrange.	May 15/07
2	4		New drawing	July 11/07
	5		New part number added - Items # 41,42,43,44,45,46	
3	5	26	New part number - was 60595002 (M4x8 Coil Wire Screws)	Aug 20/07
4	5	5	New part number - was 98011704	Jan 21/10
5	5	20	New part number - was 34120109 (Fuse T10A)	Nov 24/10

NOTES

 **GARLAND**[®]